

# SOLAR WORLD

## SOLAR LANTERN

(EA) Ltd.

Leaders in Solar Technology



@ KShs.5,500/-

**Enjoy a quiet, smoke-free well lit evening without spending a penny on kerosene.**

### MAIN FEATURES:

- ♦ Bright light from a 7W energy saving U-tube
- ♦ 2.5W mono-crystalline solar panel with 20 yrs lifespan
- ♦ AC/DC and car plug charger included
- ♦ Duration Time 4-5 hrs with full charge

Call:

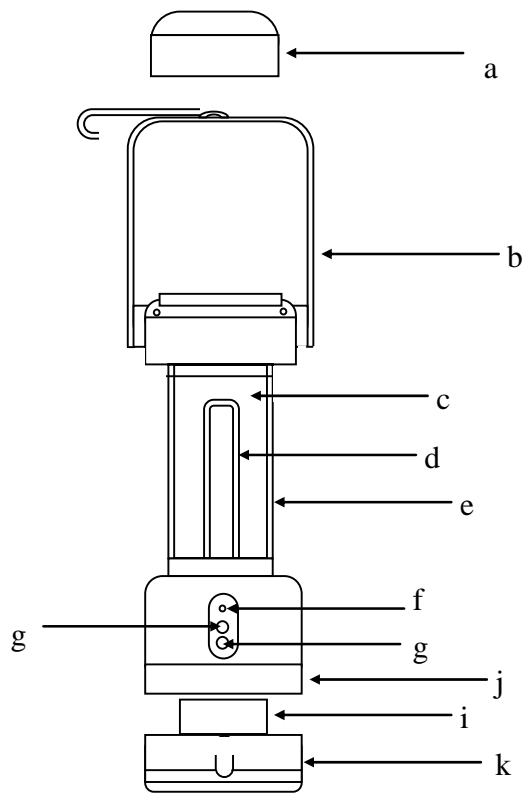
0722-798000 or

020-6752690/781497

Email: [solar@wananchi.com](mailto:solar@wananchi.com)

[www.solarworldidea.com](http://www.solarworldidea.com)

## TECHNICAL DATA



- a. Top Cap
- b. Handle
- c. Glass bulb cover
- d. 7W U tube
- e. Metal support columns
- f. Indicating diode
- g. On/Off button
- h. Charging port
- i. 2.5 AH Battery
- j. Base
- k. Base cover

### How does it work?

- ♦ The solar lantern consists of a lamp, a solar panel and a battery.
- ♦ It uses the free energy of the sun to charge the battery during the day and provide lighting at night.
- ♦ The lantern can also be recharged using a car plug charger and from an AC/DC adaptor
- ♦ When fully charged, the lantern can light from up to 5 hours

### What are its advantages?

- ♦ No kerosene is needed to light a solar lamp, saving you a lot of money.
- ♦ The lamp does not produce any smoke, only clean bright light. Its very healthy to be near unlike the kerosene lamp.
- ♦ With a solar lamp, you need not be afraid of starting accidental fires. Kerosene lamps can sometimes be very dangerous.
- ♦ The solar lamp is totally quiet unlike some lamps (pressure/gas lamps)
- ♦ The stylish design of our solar lamps blends well with any tastefully designed living space
- ♦ The lantern is environment friendly.

### Application.

Our range of solar lanterns are highly ideal for camping, field excursions , regular home use and as emergency lamps just in case the mains fail